

MBM || MAB



Produktkatalog

FV + OFV motorer

Oktober 2020

OVERVIEW OF LOCKING DRIVES FV																	
Type	Form	Rated voltage	Locking stroke	Force		Runtime	Cut-off current	Opening drives		Use			Location		Functions		
				Pulling/Pushing force	Initial force			Type	Breaking current	Natural ventilation	SHEV	NSHEV	Facade	Roof	Run monitoring	Synchronised run	Sequence control
		[V]	[mm]	[N]	[N]	[s]	[A]		[A]								
FV	FV1	24		600	1000	5,0	0,3	○	○	●	●	●	●	■		●	
	FV3							S1	0,8	●	●	●	●	■		●	
	FV4							S2/S3/S12	●	●	●	●	■		●	●	
FVR	FVR3	24	18	600	1000	5,0	0,3	S1	0,8	●	●	●	●	■		●	
	FVR4							S2/S3/S12		●	●	●	●	■		●	●
FVB	FVB3	24	18	600	1000	5,0	0,3	S1	0,8	●	●	●	●	■		●	
	FVB4							S2/S3/S12		●	●	●	●	■		●	●
FVM	FVM2	24	17 + 36	600	1000	9,0 / 19,0	0,3	S3/S12	0,4	●	●	●	●	■		●	●
OFV	OFV	24	0° – 180°	10 Nm	22 Nm	4,5 / 9,0	0,3	S1	0,9	●	●	●	●	■		●	
								S2/S3/S12		●	●	●	●	■		●	●

LEGEND

● suitable

■ not recommended

S1 without internal cut-off switch for operation with RWA1000-, RWA1100-, RWA1050-systems

S2 internal load dependend cut-off switch

S3 internal load dependend cut-off switch, post cycle resistant, programmable for motion monitored run (up to 300 mm stroke) and sequence control

S4 without internal cut-off switch, with pulse generator for operation with external load cut-off-switch or synchronisation controller

S12 internal Intelligent Control Electronics S12 for synchronised run and programmable functions

○ only with external control module USKM



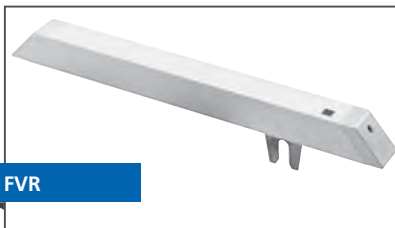
FV



FV

FV LOCKING DRIVES

- Model 24V DC
- Force 600 N
- Stroke 15 mm
- Runtime 5 s
- Housing (WxH) aluminium 35 x 35 mm, length depending on type
- Coupling adapter Locking angle
- Versions FV1, FV3, FV4 with 1 – 3 locking points
- Protection rating IP32



FVR



FVB

FVR / FVB LOCKING DRIVES

- Model 24V DC, S3, suitable for operation with M-COM software
- Force 600 N
- Stroke 16 – 22 mm
- Runtime 5 s
- Housing (WxH) aluminium 35 x 35 x 420 mm
- Coupling adapter For multi-point locking systems
- Versions FVR3 / FVB3, FVR4 / FVB4
- Protection rating IP32



FV mini

FVM LOCKING DRIVES

- Model 24V DC, suitable for operation with M-COM software
- Force 600 N
- Stroke 17 – 36 mm
- Runtime 9 – 19 s
- Housing (WxH) stainless steel 25 x 25 x 473 mm, for concealed installation
- Coupling adapter for multi-point locking systems
- Protection rating IP32



OFV

OFV LOCKING DRIVES

- Model 24V DC, S3
- Torquet 10 Nm
- Rotation angle 90° / 180°
- Runtime 4,5 - 9 s
- Housing (WxH) aluminium/ABS 40 x 156 x 83 mm, grey
- Coupling adapter squered shaft for the chamber gearboxes
- Protection rating IP32



SPECIAL FEATURES FV1 / FV3 / FV4

- For natural ventilation, smoke and heat exhausting and ferralux® NSHEV (EN12101-2)
- Versions:
 - FV1 – without internal cut-off switch and sequence control, for use in RWA hardware systems with USKM module
 - FV3 – with internal load dependent cut-off switch and sequence control for drives PL6 S1 / PL10 S1
 - FV4 – Version SW-V2 (software) with M-COM suitable internal load dependent cut-off switch and sequence control for drives S3 /S12 (star wiring, drive current does not run over FV4, sequence control via communication wire)
- Number of locking points (VP)
 - 1 VP – Housing 420 mm as right or left handed version
 - 2 VP – Housing 1200 mm or 2000 mm
 - 3 VP – Housing 2000 mm
- Small locking bracket for 18 mm mounting space on window frame profile
- Robust corrosion-resistant design in a slim aluminium housing (Lx35x35 mm) or optionally in RAL colors
- Easy installation due to concealed holes below the oblique end caps
- Cable connection terminals below the end cap (in FV3 and FV4)

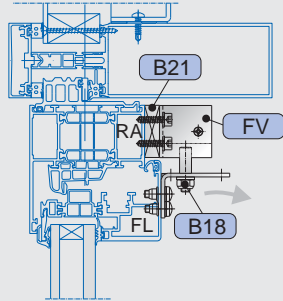
For this product series, a Type III Environmental Product Declaration (EPD) was issued according to ISO 14025 and EN 15804.

The LCA results of the different product types are listed at the end of this product catalogue.

The EPD documents can be viewed or downloaded from our homepage www.aumueller-gmbh.de.

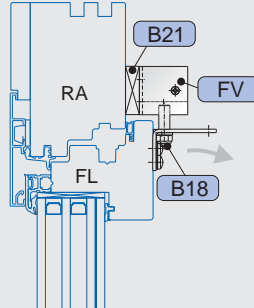
TYPICAL APPLICATIONS

1 RM, inward opening window



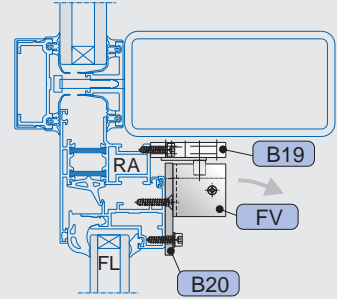
View on aluminium window

2 RM, inward opening window



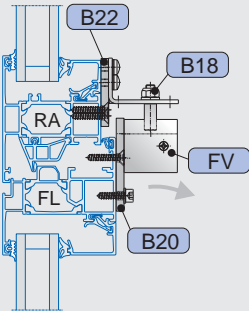
View on wooden window

3 RM, inward opening window



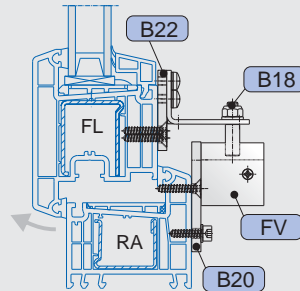
View on aluminium window

4 FM, inward opening window



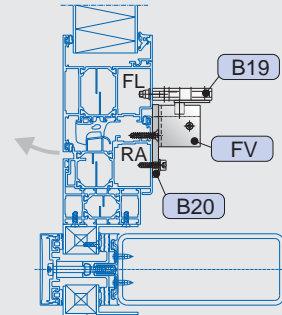
View on aluminium window

5 RM, outward opening window



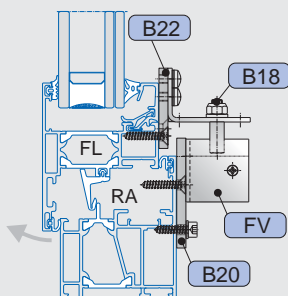
View on PVC-window

6 RM, outward opening window

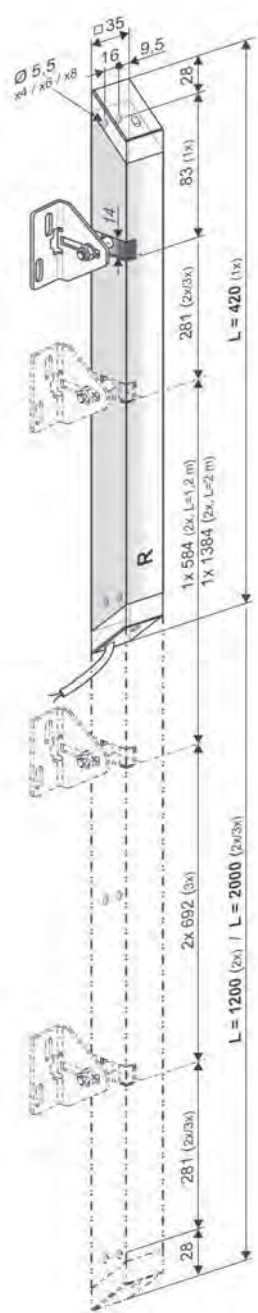


View on aluminium window

7 RM, outward opening window



View on aluminium window



- Application: natural ventilation, SHEV, ferralux®-NSHEV
- Surface mounting on the window frame/casement profiles of the main/side closing edge (HSK/NSK) of in-/outward opening windows. Locking bracket mounted on the casement
- Required mounting space 35 mm
- Can be installed without locking bar

Options

- Mounting plate for installation on the window frame profile (RM) of outward opening windows or on the casement profile (FM) of inward opening windows
- Slim locking bracket 15 mm for small mounting space on the window frame profiles

FV1

- Without internal cut-off switch and sequence control, for use in RWA hardware systems with USKM module

FV3

- With internal load dependent cut-off switch and sequence control for drives PL6 S1 / PL10 S1 (I = 0.8A)

FV4

- M-COM suitable internal load dependent cut-off switch and sequence control for drives S3 / S12
- Star wiring
- Current of the drives does not run over FV4
- Sequence control via communication wire

TECHNICAL DATA

U_N	Rated voltage	24V DC ($\pm 20\%$), max. 2 Vpp
I_N	Rated current	0,6 A
I_0	Cut-off current	~ 30 mA
P_N	Rated power	20 W
I_d	Current of connected drives	FV1: USKM FV3: 0,8 A (PL 6/10 S1) FV4: S3 / S12 non relevant
ED	Duty cycle	30 % (ON: 3 min. / OFF: 7 min.)
	Protection rating	IP 32
	Ambient temperature range	-5 °C ... + 75 °C
F	Pushing / Pulling force max.	~ 600 N
t	Runtime	~ 5,0 s
	Connecting cable	FV1: non-halogen, grey 2 x 0,75 mm ² , ~ 3 m FV3: non-halogen, grey 2 x 0,75 mm ² , ~ 3 m FV4: non-halogen, grey 3 x 0,50 mm ² , ~ 3 m
	Housing	aluminium 35 x 35 mm
L	Length	see order data
	Versions	FV1: 1x R/L, 2x R, 3x R FV3: 1x R/L, 2x R, 3x R FV4: 1x R/L, 2x R, 3x R
	Version name	1x = 1 locking point 2x = 2 locking point 3x = 3 locking point R = right hand version L = left hand version
	Sound pressure level A	≤ 70 dB (A)



ORDER DATA						
Type	L [mm]	Version	Finish	PU/pcs.	Part.-No.	
Single right hand	420	FV1 R (1x)	E6/C-0	1	515103	
		FV3 R (1x)		1	515102	
		FV4 R (1x)		1	515129	
Single left hand	420	FV1 L (1x)	E6/C-0	1	515106	
		FV3 L (1x)		1	515105	
		FV4 L (1x)		1	515130	
Double right hand	1200	FV1 R (2x)	E6/C-0	1	515111	
		FV3 R (2x)		1	515110	
		FV4 R (2x)		1	515131	
Double right hand	2000	FV1 R (2x)	E6/C-0	1	515113	
		FV3 R (2x)		1	515112	
		FV4 R (2x)		1	515132	
Triple right hand	2000	FV1 R (3x)	E6/C-0	1	515116	
		FV3 R (3x)		1	515114	
		FV4 R (3x)		1	515136	

Special model	PU/pcs.	Part.-No.	
Drive housing painted/powder coated in other RAL colours			
Lump sum for coating		516030	
Specify at order stage:	1 – 20	516004	
	21 – 50	516004	
	51 – 100	516004	
	up 101	516004	
Extra length connecting cable:			
5 m –non-halogen grey – 2 x 0,75 mm ²		501024	
10 m –non-halogen, grey – 2 x 0,75 mm ²		501026	
5 m –non-halogen, grey – 3 x 0,50 mm ²		501034	
10 m –non-halogen, grey – 3 x 0,50 mm ²		501036	
Microprocessor programming S12			
Programming drives 24V / 230V S12		524180	
Optional accessories			
M-COM Configuration module for synchronised multi-drive systems (for FV4)	1	524177	

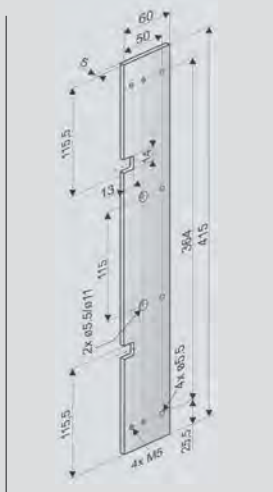
ACCESSORIES

Locking angle			
B18		<p>Application</p> <p>Surface mounting on the main/side closing edge of window frame profiles/casement profiles of in-/outward opening windows. Adjustable locking bolt for compensation of the profile overlap FÜ<10 mm. Required mounting space 35 mm</p>	<p>Part.-No. 301595</p> <p>Material/Finish stainless steel (1.4301)</p> <p>Feature/Equipment 1x locking pin Ø 8x30, 1x nut M6, 1x washer A6,4</p>
Accessories			
		<p>B21-1 base plate for FÜ>10 mm FV L = 420</p>	<p>Part.-No. 515181</p>
		<p>B21-2 base plate for for FÜ>10 mm FV L = 1200</p>	<p>Part.-No. 515183</p>
		<p>B21-3 base plate for for FÜ>10 mm FV L = 2000</p>	<p>Part.-No. 515185</p>
		<p>B22 base plate for glazing bead</p>	<p>Part.-No. 301599</p>
B19		<p>Application</p> <p>Surface mounting on the main/side closing edge of window frame profiles/casement profiles of in-/outward opening windows. Adjustable locking bolt for compensation of the profile overlap FÜ<10 mm. Required mounting space 15 mm</p>	<p>Part.-No. 301597</p> <p>Material/Finish aluminium</p> <p>Feature/Equipment 1x locking pin Ø 8x10, 1x hex head screw M6x10, 1x washer A6,4</p>

ACCESSORIES

Mounting plate

B20-1



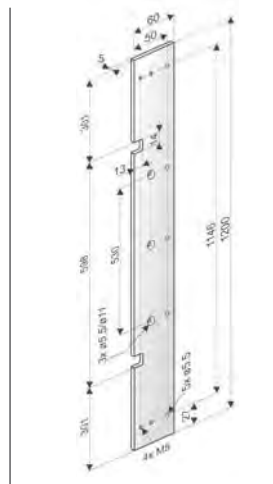
Application

Mounting of FV1/FV3/FV4
L = 420 mm as right or left hand version on the window frame profiles of outward opening windows or on the casement profile of inward opening casements, e.g. **RWA1100** hardware systems

Part.-No. 515191

Material/Finish
aluminium
Feature/Equipment
415 x 60 x 5 mm

B20-2



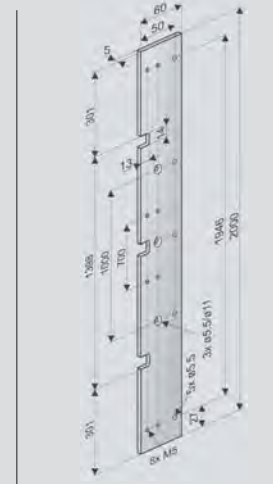
Application

Mounting of FV1/FV3/FV4
L = 1200 mm on the window frame profiles of outward opening windows or on the casement profiles of inward opening casements, e.g. **RWA1100** hardware system

Part.-No. 515193

Material/Finish
aluminium
Feature/Equipment
1200 x 60 x 5 mm

B20-3



Application

Mounting of FV1/FV3/FV4
L = 2000 mm on the window frame profiles of outward opening windows or on the casement profiles of inward opening casements, e.g. **RWA1100** hardware system

Part.-No. 515197

Material/Finish
aluminium
Feature/Equipment
2000 x 360 x 5 mm

OPTIONAL ACCESSORIES

Base plate				
B21		B21-1 FV L = 420	Part.-No. 515181	
		B21-2 FV L = 1200	Part.-No. 515183	
		B21-3 FV L = 2000	Part.-No. 515185	
	Application Compensation of the profile overlap FÜ > 10 mm for FV1/FV3/FV4 mounted on the window frame profiles (RM) of inward opening windows 1x for FÜ > 10 mm 2x for FÜ > 20 mm	Material/Finish aluminium Feature/Equipment L x 35 x 10 mm (L = 415, 1200, 2000) mm		
B22		Application Adapter plate for relocation of the mounting holes of the locking bracket B18 outside the glazing bead of outward opening windows	Part.-No. 301599	
		Material/Finish aluminium (E6/C-0) Feature/Equipment for locking angle B18		

Special accessories				
Special model	PU/pcs.	Part.-No.		
Casement brackets painted / powder coated in other RAL colours				
Lump sum for coating		516030		
Specify at order stage:	1 – 20	516032		
	21 – 50	516032		
	51 – 100	516032		
	up 101	516032		
Frame brackets painted / powder coated in other RAL colours				
Lump sum for coating		516030		
Specify at order stage:	1 – 20	516031		
	21 – 50	516031		
	51 – 100	516031		
	up 101	516031		



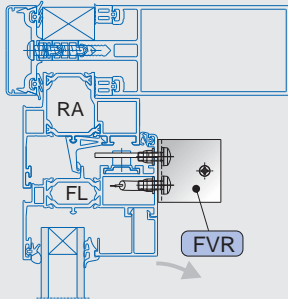
SPECIAL FEATURES FVR3 / FVR4

- For natural ventilation, smoke and heat exhausting and ferralux® NSHEV (EN12101-2)
- Versions:
 - FVR3 – with internal load dependent cut-off switch and sequence control for drives PL6 S1 / PL10 S1
 - FVR4 – Version SW-V2 (software) with M-COM suitable internal load dependent cut-off switch and sequence control for drives S3 /S12 (star wiring, drive current does not run over FVR4, sequence control via communication wire)
- Mounting on the window frame profiles of outward opening or on the casement profiles of inward opening windows
- Locking plate activates the multi-point locking systems of the windows via additional locking roller
- Robust corrosion-resistant design in a slim aluminium housing (420x35x35 mm) or optionally in RAL colors
- Easy installation due to concealed holes below the oblique end caps
- Cable connection terminals and DIP-switches for setting the moving direction below the end cap

For this product series, a Type III Environmental Product Declaration (EPD) was issued according to ISO 14025 and EN 15804. The LCA results of the different product types are listed at the end of this product catalogue. The EPD documents can be viewed or downloaded from our homepage www.aumueller-gmbh.de.

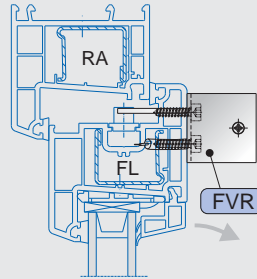
TYPICAL APPLICATIONS

1 FM, inward opening window



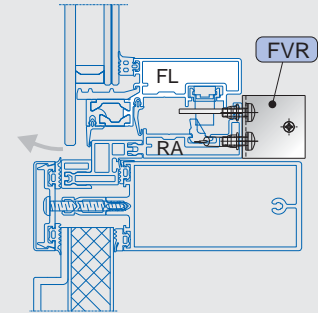
View on aluminium window

2 FM, inward opening window



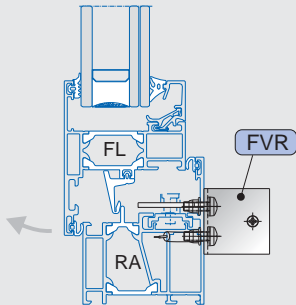
View on PVC-window

3 RM, friction hinged window

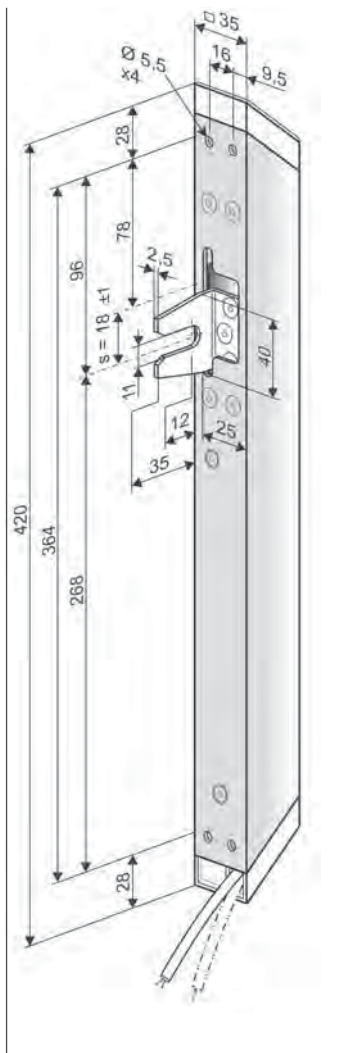


View on aluminium window

4 RM, outward opening window



View on aluminium window



- Application: natural ventilation, SHEV, ferralux®-NSHEV
- Surface mounting on the main/side closing edge of the window frame profiles (RM) of outward or on the casement profiles (FM) of inward opening windows
- Required mounting space 35 mm
- Locking drives for existing locking bar

Options

- Locking plate customizable for project-/profile-specific demands

FVR3

- With internal load dependent cut-off switch and sequence control for drives PL6 S1 / PL10 S1 (I = 0.8A)

FVR4

- M-COM suitable internal load dependent cut-off switch and sequence control for drives S3 / S12
- Star wiring
- Current of the drives does not run over FVR4
- Sequence control via communication wire

TECHNICAL DATA

U_N	Rated voltage	24V DC ($\pm 20\%$), max. 2 Vpp
I_N	Rated current	0,6 A
I_0	Cut-off current	~ 30 mA
P_N	Rated power	20 W
I_D	Current of opening drives	FVR3: 0,8 A (PL 6/10 S1) FVR4: 3 A, S3 / S12 non relevant
ED	Duty cycle	30 % (ON: 3 min. / OFF: 7 min.)
	Protection rating	IP 32
	Ambient temperature range	-5 °C ... $+75$ °C
F	Pushing / Pulling force max.	~ 600 N
t	Runtime	$\sim 5,0$ s
s	Stroke	~ 18 mm (± 1)
	Connecting cable	FVR3: non-halogen, grey 2 x 0,75 mm ² , ~ 3 m FVR4: non-halogen, grey 3 x 0,50 mm ² , ~ 3 m
	Coupling adapter	stainless steel
	Housing	aluminium (E6/C-O), 420 x 35 x 35 mm
L	Length	420 mm
	Sound pressure level A	≤ 70 dB (A)



ORDER DATA						
s [mm]	L [mm]	Version	Finish	PU/pcs.	Part.-No.	
16	420	FVR3 16	E6/C-0	1	514003	
16	420	FVR4 16	E6/C-0	1	514029	

Special model	PU/pcs.	Part.-No.	
Drive housing painted/powder coated in other RAL colours			
Lump sum for coating		516030	
Specify at order stage:	1 – 20	516004	
	21 – 50	516004	
	51 – 100	516004	
	up 101	516004	
Extra length connecting cable:			
5 m –non-halogen grey – 2 x 0,75 mm ²		501024	
10 m –non-halogen, grey – 2 x 0,75 mm ²		501026	
5 m –non-halogen, grey – 3 x 0,50 mm ²		501034	
10 m –non-halogen, grey – 3 x 0,50 mm ²		501036	
Microprocessor programming S12			
Programming drives 24V / 230V S12		524180	
Optional accessories			
M-COM Configuration module for synchronised multi-drive systems (for FV4)	1	524177	



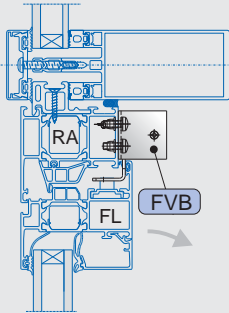
SPECIAL FEATURES FVB

- For natural ventilation, smoke and heat exhausting and ferralux® NSHEV (EN12101-2)
- Versions:
 - ■ FVB3 – with internal load dependent cut-off switch and sequence control for drives PL6 S1 / PL10 S1
 - ■ FVB4 – Version SW-V2 (software) with M-COM suitable internal load dependent cut-off switch and sequence control for drives S3 /S12 (star wiring, drive current does not run over FVB4, sequence control via communication wire)
- Mounting on the window frame profiles of inward opening windows
- Locking plate activates the multi-point locking systems of the windows via additional locking roller
- Robust corrosion-resistant design in a slim aluminium housing (420x35x35 mm) or optionally in RAL colors
- Easy installation due to concealed holes below the oblique end caps
- Cable connection terminals and DIP-switches for setting the moving direction below the end cap

For this product series, a Type III Environmental Product Declaration (EPD) was issued according to ISO 14025 and EN 15804. The LCA results of the different product types are listed at the end of this product catalogue. The EPD documents can be viewed or downloaded from our homepage www.aumueller-gmbh.de.

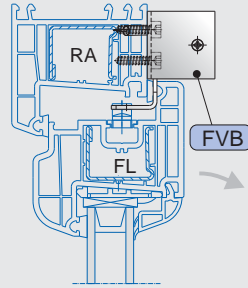
TYPICAL APPLICATIONS

1 RM, inward opening window



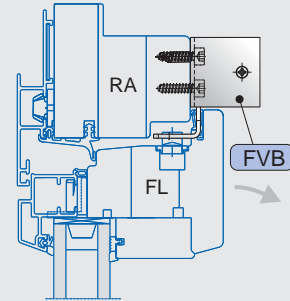
View on aluminium window

2 RM, inward opening window

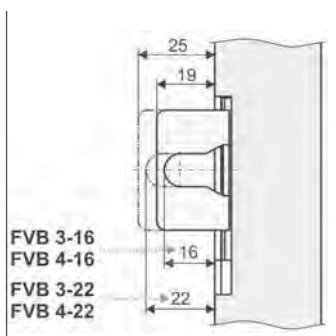
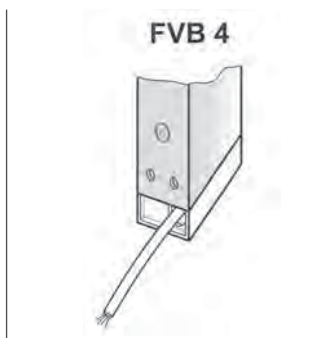
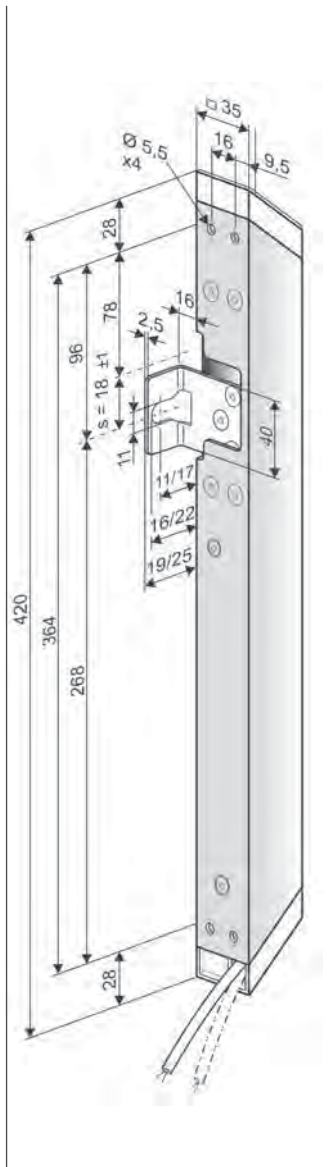


View on PVC-window

3 RM, inward opening window



View on wooden window



- Application: natural ventilation, SHEV, ferralux®-NSHEV
- Surface mounting on the on the main/side closing edge of the window frame profiles (RM) of inward opening windows
- Required mounting space 35 mm
- Locking drives for existing locking bar

Options

- Locking plate customizable for project-/profile-specific demands

FVB3

- With internal load dependent cut-off switch and sequence control for drives PL6 S1 / PL10 S1 (I = 0.8A)

FVB4

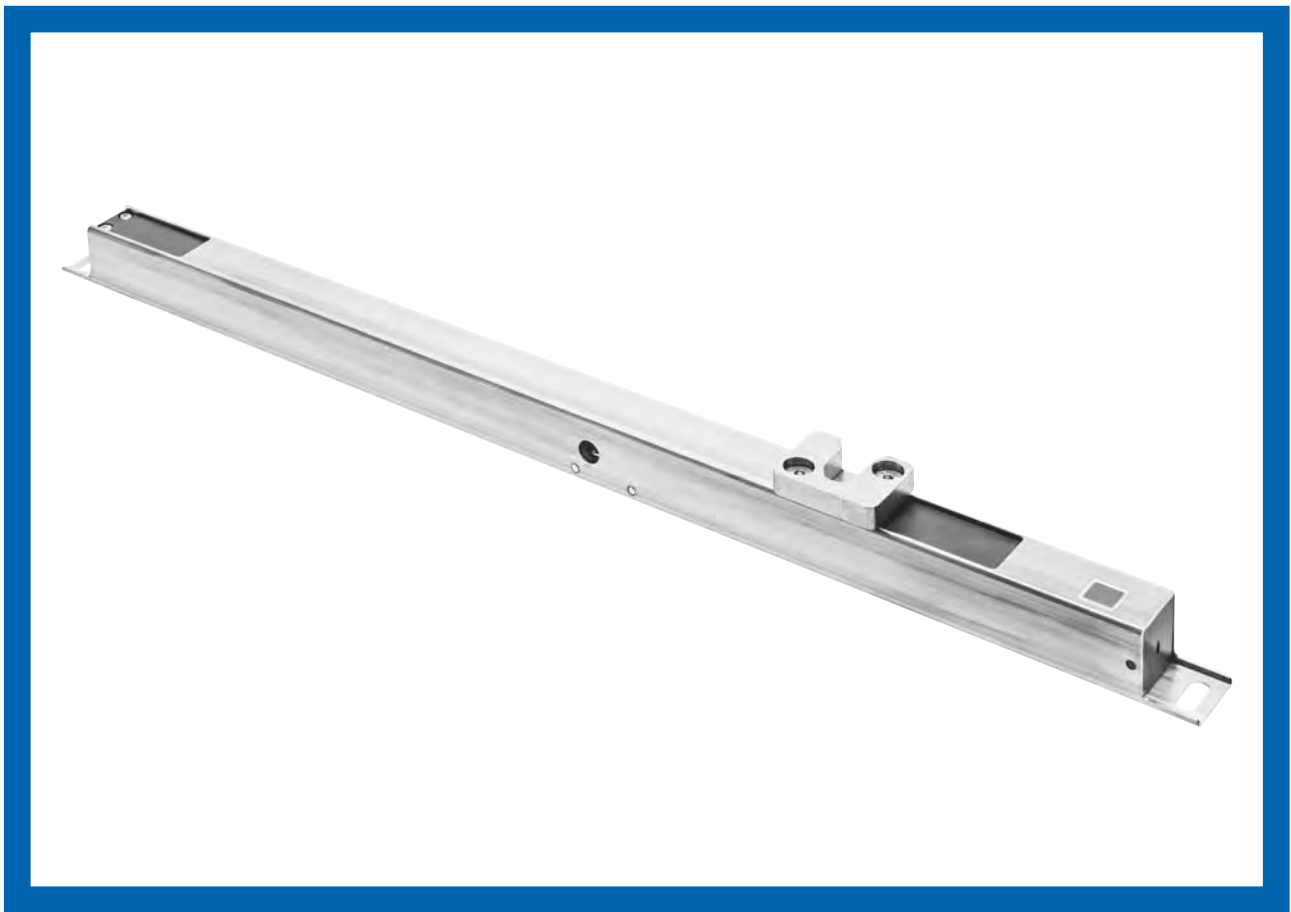
- M-COM suitable internal load dependent cut-off switch and sequence control for drives S3 /S12
- Star wiring
- Current of the drives does not run over FVB4
- Sequence control via communication wire

TECHNICAL DATA

U_N	Rated voltage	24V DC ($\pm 20\%$), max. 2 Vpp
I_N	Rated current	0,6 A
I_0	Cut-off current	~ 30 mA
P_N	Rated power	20 W
I_D	Current of opening drives	FVB3: 0,8 A (PL 6/10 S1) FVB4: 3 A, S3 / S12 non relevant
ED	Duty cycle	30 % (ON: 3 min. / OFF: 7 min.)
	Protection rating	IP 32
	Ambient temperature range	-5 °C ... +75 °C
F	Pushing / Pulling force max.	~ 600 N
t	Runtime	~ 5,0 s
s	Stroke	~ 18 mm (± 1)
	Connecting cable	FVB3: non-halogen, grey 2 x 0,75 mm ² , ~ 3 m FVB4: non-halogen, grey 3 x 0,50 mm ² , ~ 3 m
	Coupling adapter	stainless steel
	Housing	aluminium (E6/C-O), 420 x 35 x 35 mm
L	Length	420 mm
	Versions	FVR/FVB 3/4 – 16: Coupling adapter length 19 mm FVR/FVB 3/4 – 22: Coupling adapter length 25 mm
	Sound pressure level A	≤ 70 dB (A)

ORDER DATA						
s [mm]	L [mm]	Version	Finish	PU/pcs.	Part.-No.	
16	420	FVB3 16	E6/C-0	1	513921	
22	420	FVB3 22	E6/C-0	1	513923	
16	420	FVB4 16	E6/C-0	1	513930	
22	420	FVB4 22	E6/C-0	1	513934	

Special model	PU/pcs.	Part.-No.	
Drive housing painted/powder coated in other RAL colours			
Lump sum for coating		516030	
Specify at order stage:	1 – 20	516004	
	21 – 50	516004	
	51 – 100	516004	
	up 101	516004	
Extra length connecting cable:			
5 m –non-halogen grey – 2 x 0,75 mm ²		501024	
10 m –non-halogen, grey – 2 x 0,75 mm ²		501026	
5 m –non-halogen, grey – 3 x 0,50 mm ²		501034	
10 m –non-halogen, grey – 3 x 0,50 mm ²		501036	
Microprocessor programming S12			
Programming drives 24V / 230V S12		524180	
Optional accessories			
M-COM Configuration module for synchronised multi-drive systems (for FV4)	1	524177	



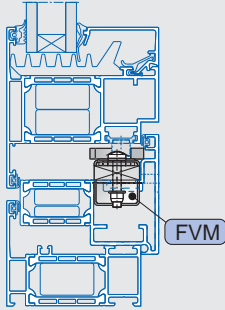
SPECIAL FEATURES FVM2

- For natural ventilation, smoke and heat exhausting and ferralux® NSHEV (EN12101-2)
- With M-COM suitable internal load dependent cut-off switch and sequence control for drives S3 / S12 (star wiring, drive current does not run over FVM2, sequence control via communication wire)
- Suitable for concealed mounting inside profiles
- Locking plate activates the window multi-point locking systems via additional locking roller, it can be mounted on both sides and can be rotated with 180°
- Manual unlocking mechanism
- Robust corrosion-resistant design in a slim stainless steel housing (473x25x25 mm)
- Hidden cable connection terminals and DIP-switches for setting the moving direction and the locking stroke

For this product series, a Type III Environmental Product Declaration (EPD) was issued according to ISO 14025 and EN 15804. The LCA results of the different product types are listed at the end of this product catalogue. The EPD documents can be viewed or downloaded from our homepage www.aumueller-gmbh.de.

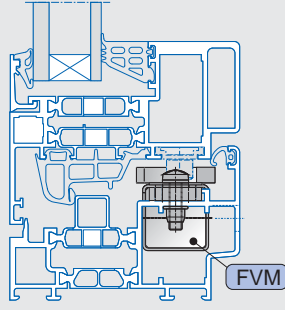
TYPICAL APPLICATIONS

- 1 Concealed mounting, outward opening



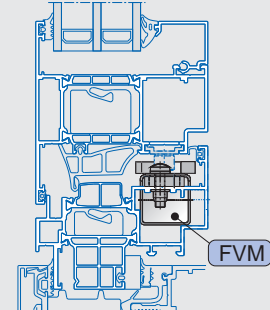
View on aluminium window

- 2 Concealed mounting, outward opening



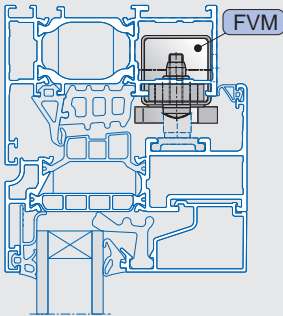
View on aluminium window

- 3 Concealed mounting, outward opening



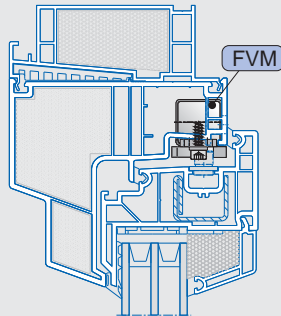
View on aluminium window

- 4 Concealed mounting, inward opening



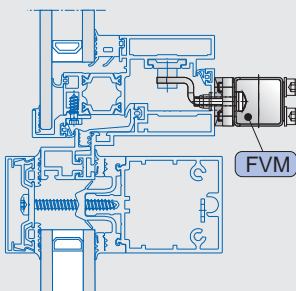
View on aluminium window

- 5 Concealed mounting, inward opening



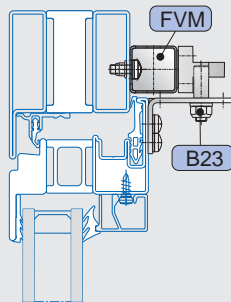
View on PVC window

- 6 RM, friction hinged, outward opening



View on aluminium window

- 7 RM, side-/bottom-/top-hung, inward opening



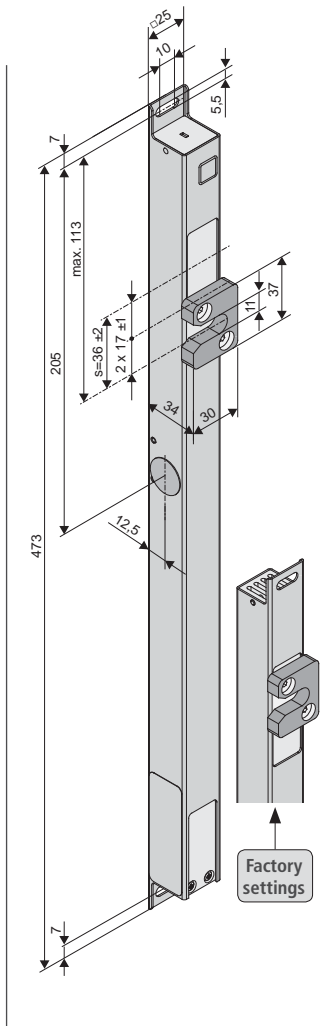
View on steel window

- Application: natural ventilation, SHEV, ferralux®-NSHEV
- Surface or concealed mounting inside profiles
- Locking plate (8 mm) on top or bottom mountable
- Locking position selectable: right / left
- Locking stroke selectable: $s = 36$ mm or 17 mm
- Manual unlocking mechanism

Options

- Special functions programmable

- M-COM suitable internal Control Electronics and sequence control for drives S3 /S12
- Star wiring
- Current of the drives does not run over FVM2
- Sequence control via communication wire



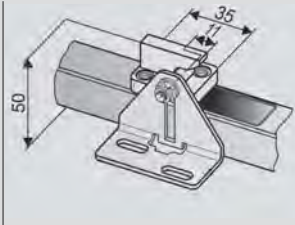
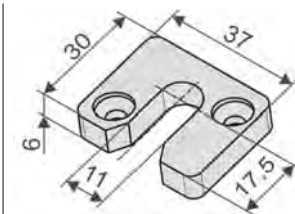
TECHNICAL DATA

U_N	Rated voltage	24V DC ($\pm 20\%$), max. 2 Vpp
I_A	Cut-off current	$\sim 0,4$ A
P_N	Rated power	10 W
I_D	Current of opening drives	non relevant
ED	Duty cycle	30 % (ON: 3 min. / OFF: 7 min.)
	Protection rating	IP 32
	Ambient temperature range	-5 °C ... $+75$ °C
F_A	Pushing / Pulling force max.	~ 600 N
F_L	Breaking fore max.	~ 1000 N
t	Housing/Locking plate	stainless steel
	Connecting cable	non-halogen, grey 3 x 0,5 mm ² , ~ 3 m
	Speed	1,9 mm/s
s	Stroke	~ 36 mm (± 2) oder 17 mm (± 1)
L	Dimensions	473 x 25 x 25 mm
	Sound pressure level A	≤ 70 dB (A)

ORDER DATA						
s [mm]	L [mm]	Version	Finish	PU/pcs.	Part.-No.	
17 – 36	473	FVM2	E6/C-0	1	514062	

Special model	PU/pcs.	Part.-No.	
Drive housing painted/powder coated in other RAL colours			
Lump sum for coating		516030	
Specify at order stage:	1 – 20	516004	
	21 – 50	516004	
	51 – 100	516004	
	up 101	516004	
Extra length connecting cable:			
5 m –non-halogen, grey – 3 x 0,50 mm ²		501034	
10 m –non-halogen, grey – 3 x 0,50 mm ²		501036	
Microprocessor programming S12			
Programming drives 24V / 230V S12		524180	
Optional accessories			
M-COM Configuration module for synchronised multi-drive systems	1	524177	

ACCESSORIES

Hardware set			
<p>B23</p> 	<p>Application Surface mounting on the main/side closing edge of the window frame profile of inward opening windows. Adjustable locking bolt for compensation of the profile overlapp FÜ 0 - 25 mm</p> <p>NOTE: Only one locking point!</p>	<p>Part.-No. 514081</p> <p>Material/Finish T-locking plate (aluminium) Locking bracket VW (stainless steel)</p> <p>Feature/Equipment 1x T-locking plate 1x locking bracket B18</p>	
Locking plate			
<p>B24</p> 	<p>Application Locking plate 6 mm alternative to the locking plate 8 mm due to limited rebate space</p>	<p>Part.-No. 514066</p> <p>Material/Finish stainless steel</p> <p>Feature/Equipment 37 x 30 x 6 mm</p>	

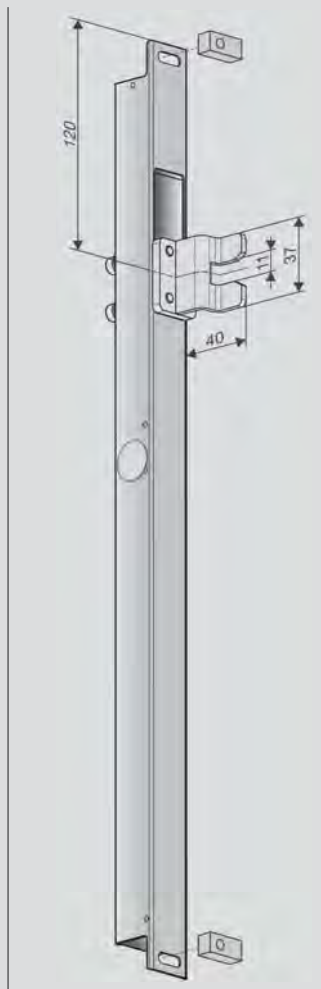
Locking drives

SPECIFIC APPLICATIONS

FRICION HINGED WINDOW SCHÜCO AWS 102

FVM2

Part.-No. 514063




- With M-COM suitable Internal Intelligent Control Electronics and sequence control for drives S3 / S12 (star wiring, drive current does not run over FVM2, sequence control via communication wire)
- Concealed mounting inside profile
- Pre-assembled T-form coupling adapter
- Locking position selectable: right / left
- Locking stroke selectable: $s = 36 \text{ mm}$ or 17 mm
- Manual unlocking mechanism

Fixing accessories 2x spacer plate 25x12x10 mm, aluminium

T-Locking plate stainless steel

Connecting cable non-halogen, grey 3 x 0,5 mm², ~ 3 m

OPTIONAL ACCESSORIES

Main control unit			
M-COM		<p>Application</p> <p>Configuration module for automatic configuration and surveillance of max. 6 opening or locking drives version S12 / S3 in synchronised multi-drive systems</p> <p>Rated voltage: 24 V DC +/- 20%, (max. 2 Vss)</p> <p>Current consumption: <12 mA</p> <p>Drive type: S12</p>	<p>Part.-No. 524177</p> <p>Protection rating IP30 rubber coated</p> <p>Ambient temperature range 0 °C ... + 70 °C</p> <p>Dimensions 45 x 17 x 6 mm</p> <p>Connecting wires 3 wires 0,5 mm² x 50 mm</p> <p>Feature/Equipment Printed circuit board with components and connection wires to be installed in connection box to be supplied on site</p>

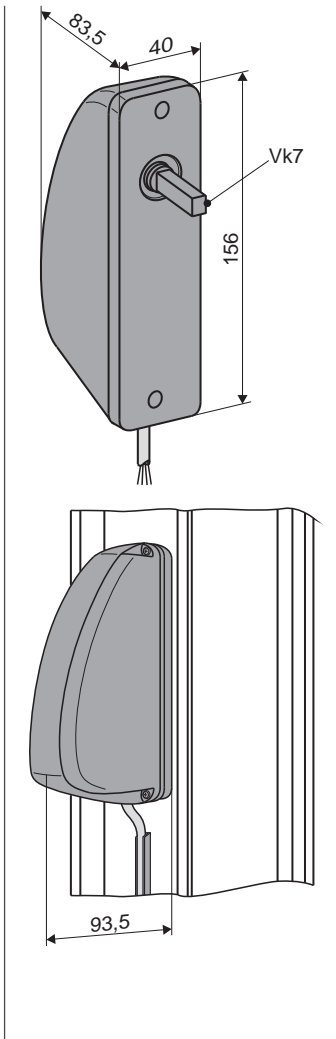
Special model	PU/pcs.	Part.-No.			
Casement brackets painted / powder coated in other RAL colours					
Lump sum for coating		516030			
Specify at order stage:	1 – 20	516032			
	21 – 50	516032			
	51 – 100	516032			
	up 101	516032			
Frame brackets painted / powder coated in other RAL colours					
Lump sum for coating		516030			
Specify at order stage:	1 – 20	516031			
	21 – 50	516031			
	51 – 100	516031			
	up 101	516031			



SPECIAL FEATURES OFV1 / OFV1 M-COM

- For natural ventilation, smoke and heat exhausting and ferralux® NSHEV (EN12101-2)
- Distinguishing marks:
 - Internal load dependent cut-off switch and sequence control for drives PL6 S1 / PL10 S1 as well as for drives type S2 / S3 / S12
 - Version **OFV1 M-COM** with M-COM suitable internal load dependent cut-off switch and sequence control for drives S3 /S12 (star wiring, drive current does not run over OFV1 (SW-V2 M-COM), sequence control via communication wire)
 - Rotating angle adjustable to 90° / 180°
 - Opening direction sectable to right / left turning
- Mounting on the gear of window handl of inward opening casements instead of the manual handl
- Square shaft activates the window multi-point locking systems via gear of the window handl
- Robust corrosion-resistant design in a plastic housing
- Easy installation due to concealed holes
- Concealed cable connection terminals and DIP-switches for settings

For this product series, a Type III Environmental Product Declaration (EPD) was issued according to ISO 14025 and EN 15804. The LCA results of the different product types are listed at the end of this product catalogue. The EPD documents can be viewed or downloaded from our homepage www.aumueller-gmbh.de.



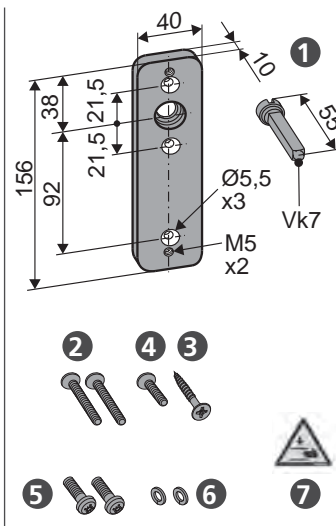
- With Internal Intelligent Control Electronics and sequence control for drives PL6 S1 / PL10 S1 as well as for drives type S2 / S3 / S12 (I max. 3 A, drive current runs over OVF1 – undercurrent detection)
- Two adjustable rotation angles: 90° / 180°
- Opening direction selectable: right / left turning
- Square shaft adapter 7x55 mm

ORDER DATA

Version	PU/pcs.	Part.-No.			
OVF1	1	513850			

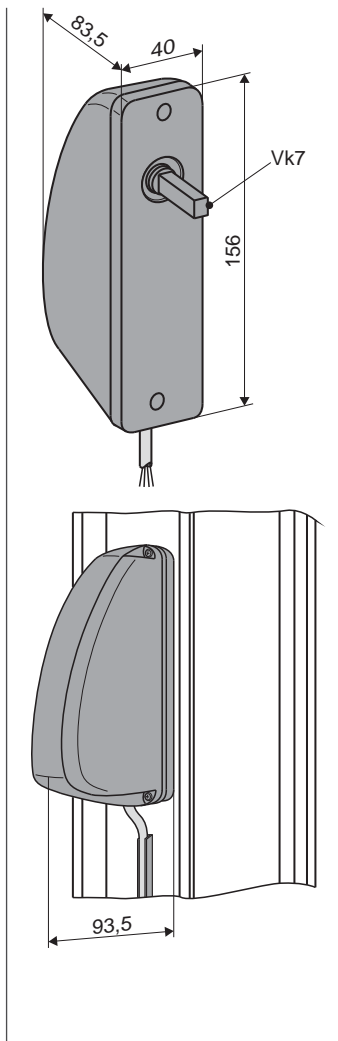
TECHNICAL DATA

U_N	Rated voltage	24V DC ($\pm 20\%$), max. 2 Vpp
I_N	Rated current	0,8 A
I_A	Cut-off current	1,1 A
I_0	Closed circuit current	< 28 mA (10 Nm)
I_D	Current of connected drives	S1: max. 0,9 A S3, S12: max. 3,0 A
P_N	Rated power	19 W
ED	Duty cycle	30 % (ON: 3 min. / OFF: 7 min.)
	Protection rating	IP 32
	Ambient temperature range	-5 °C ... + 75 °C
M	Torque max.	10 Nm
F_H	Initial torque	22 Nm
	Rotating angle direction	yes (self-learning)
	Rotating angle	90 ° / 180° (right / left)
t	Runtime	90° - 4,5 s; 180° - 9,0 s
s	Connecting cable	non-halogen, grey 4 x 0,75 mm ² , ~ 3 m
	Housing	ABS, greywhite
L	Dimensions (B x H x T)	40 x 156 x 83,5 mm



In delivery

1	1x Mounting plate with Vk7x55
2	2x Countersunk screw M5x40
3	1x Spax-Countersunk screw 4,5x30
4	1x Countersunk screw M5x16
5	2x Head screw M 5 x 16
6	2x Spring rings
7	1x Warning label



- With Internal Intelligent Control Electronics and sequence control for drives PL6 S1 / PL10 S1 as well as for drives type S3 / S12 (I max. 3 A, drive current runs over OVF1 – undercurrent detection)
- Two adjustable rotation angles: 90° / 180°
- Opening direction selectable: right / left turning
- Square shaft adapter 7x55 mm

- M-COM suitable internal Control Electronics and sequence control for drives S3 / S12
- Star wiring
- Current of the drives does not run over OVF1 (SW-V2 M-COM)
- Sequence control via communication wire

ORDER DATA

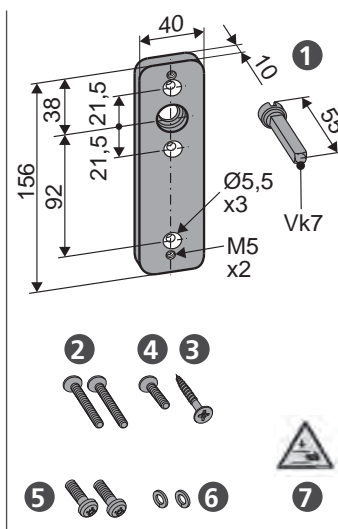
Version	PU/pcs.	Part-No.			
OVF1 M-COM	1	513860			

TECHNICAL DATA


U_N	Rated voltage	24V DC ($\pm 20\%$), max. 2 Vpp
I_N	Rated current	0,8 A
I_A	Cut-off current	1,1 A
I_0	Closed circuit current	< 28 mA (10 Nm)
	Connected drives (Opener drive)	with S3 / S12
P_N	Rated power	19 W
ED	Duty cycle	30 % (ON: 3 min. / OFF: 7 min.)
	Protection rating	IP 32
	Ambient temperature range	-5 °C ... + 75 °C
M	Torque max.	10 Nm
F_H	Initial torque	22 Nm
	Rotating angle direction	yes (self-learning)
	Rotating angle	90 ° / 180° (right / left)
t	Runtime	90° - 4,5 s; 180° - 9,0 s
s	Connecting cable	non-halogen, grey 3 x 0,5 mm ² , ~ 3 m
	Housing	ABS, greywhite
L	Dimensions (B x H x T)	40 x 156 x 83,5 mm
	Sound pressure level A	≤ 70 dB (A)

In delivery

- 1x Mounting plate with Vk7x55
- 2x Countersunk screw M5x40
- 1x Spax-Countersunk screw 4,5x30
- 1x Countersunk screw M5x16
- 2x Head screw M 5 x 16
- 2x Spring rings
- 1x Warning label



OPTIONAL ACCESSORIES

Main control unit			
M-COM		<p>Application</p> <p>Configuration module for automatic configuration and surveillance of max. 6 opening or locking drives version S12 / S3 in synchronised multi-drive systems</p> <p>Rated voltage: 24 V DC +/- 20%, (max. 2 Vss)</p> <p>Current consumption: <12 mA</p> <p>Drive type: S12</p>	<p>Part.-No. 524177</p> <p>Protection rating IP30 rubber coated</p> <p>Ambient temperature range 0 °C ... + 70 °C</p> <p>Dimensions 45 x 17 x 6 mm</p> <p>Connecting wires 3 wires 0,5 mm² x 50 mm</p> <p>Feature/Equipment Printed circuit board with components and connection wires to be installed in connection box to be supplied on site</p>

MBM || MAB

Bilstrupvej 2
7800 Skive
Danmark

Tel +45 70 20 66 70
info@mbm-mab.dk

www.mbm-mab.dk



BESØG
vores hjemmeside på
mbm-mab.dk