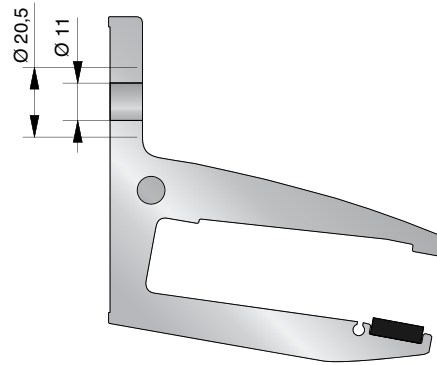
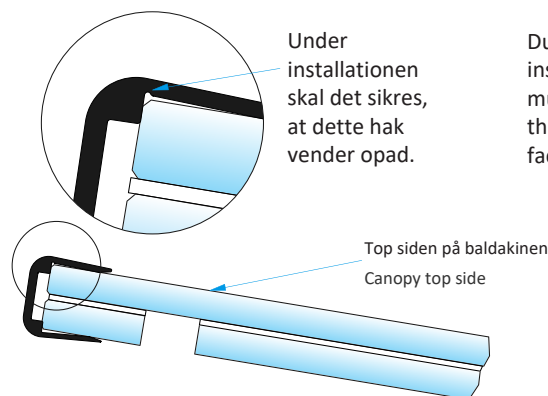


Montagevejledning Cover | Assembly instructions Cover



● Monter aluminiumprofilen med monteringskrueerne eks. gevindbolt samt limanker

○ Mount the aluminum profile with appropriate fastening material to the wall.

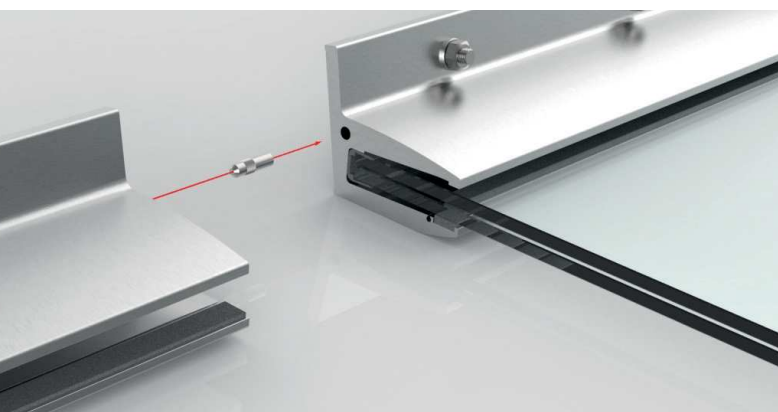


Under installationen skal det sikres, at dette hak vender opad.

During installation it must be ensured that this notch is facing upward.

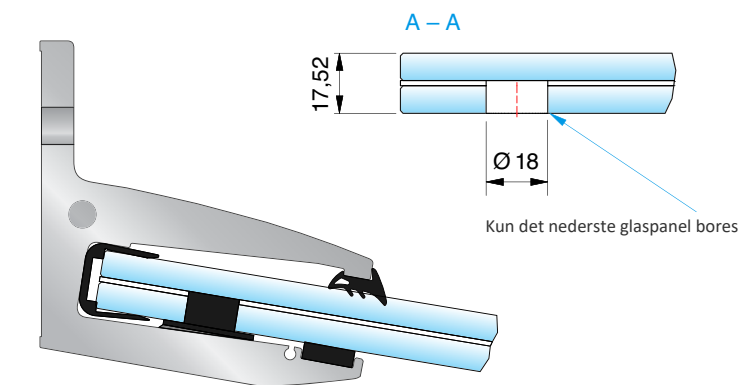
● Monter kantbeskyttelse på glasset (bemærk retningen), og indsæt derefter glaspanelet med hullerne nedad i baldakineprofilen.

○ Fit the edge protection profile onto the glass (note direction) and then insert the glass panel with the holes facing down into the canopy profile.



● Profilerne kan monteres i forlængelse ved brug af forbindelsesbolte.

○ The profiles can be mounted in series with use of the corresponding connecting studs (1510-11VA).



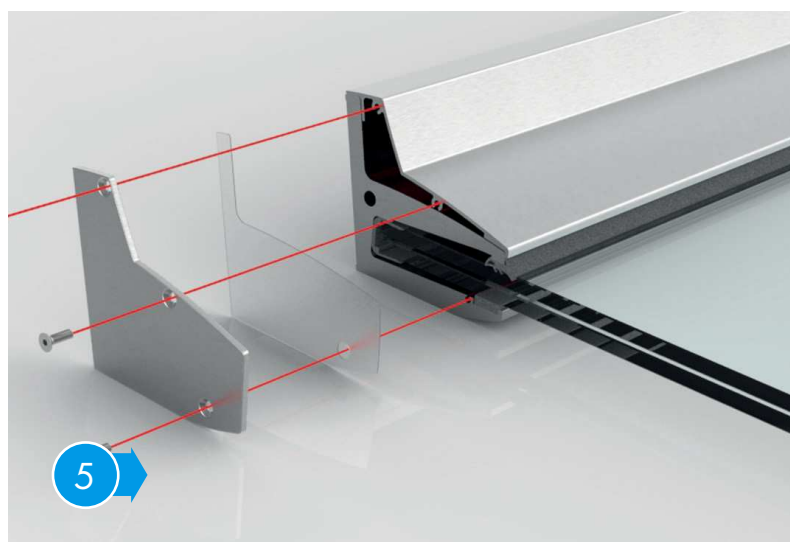
● Juster glaspladen, og fastgør den med glasboltene.

○ Align the glass panel and secure it with the glass supports and fasteners.



● Monter den øverste glas tætningsliste.

○ Insert the upper glazing profile.



● Monter endekapperne på profilen, og fastgør dem med skruer.

○ Place the endcaps and the cladding on the profile and secure them with screws.